

SPIRAL PIPE - ROUND SINGLE WALL

Duct Direct Pipe and Fittings are manufactured in accordance with 2005 SMACNA Duct Construction Standards (1995 SMACNA Standards on request)

ROUND SPIRAL SUBMITTAL

Round Single Wall Duct is constructed of the following minimum. U.S. standard gauges of Galvanized Steel with a 4-ply seam.

NOMINAL DIAMETER	GAUGE
3" - 26"	26
27" - 42"	24
43" - 66"	22
67" - 80"	18

STANDARD PIPE LENGTHS

Unless requested Duct Direct spiral lengths will be as follows

NOMINAL DIAMETER	LENGTHS
3" - 24"	10 foot lengths
25" - 80"	Cut to length (not to exceed 20 foot)
Welded Longitudinal Seam Pipe	All sizes supplied in 5 foot lengths

ROUND FITTINGS & LONGITUDINAL SEAM PIPE SUBMITTALS

Round Fittings & Longitudinal Seam Pipe are constructed of the following minimum

NOMINAL DIAMETER	GAUGE
3" - 26"	24
27" - 42"	22
43" - 60"	20
61" - 80"	18

*All seams are welded; any Galvanized coating damaged in the welding process will be painted with corrosion resistant paint

ELBOW SUBMITTAL

3 gores and 5 gores respectively are constructed with a centerline radius equal to 1½ times the diameter of the elbow. 2 piece die stamped construction will be used through 9" diameter.

ELBOW ANGLE	NUMBER OF GORES
Up to 30°	2
31° - 60°	3
61° - 90°	5

2-PIECE MITERED ELBOW VANE SUBMITTAL

2 piece mitered elbows with turning vanes will be used where space is limited

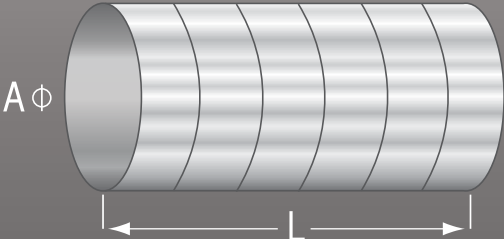
NOMINAL DIAMETER	NUMBER OF VANES
3" - 9"	3
10" - 13"	4
14" - 19"	5
20" - 57"	6
58" +	12" SPACING

COUPLINGS

Pipe-to-pipe joints to 30" diameter are sleeve coupling. Pipe-to-fitting joints to 30" diameter are slip fit; collar of fitting projecting into pipe. Pipe-to-pipe and pipe-to-fitting connections 31" and larger, Direct Flanges are recommended.

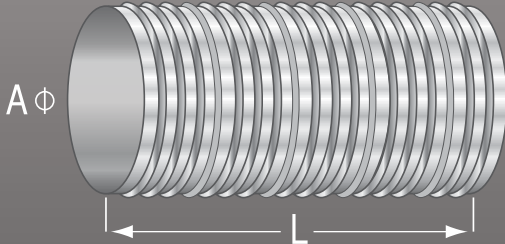
SPIRAL PIPE

SMOOTH SPIRAL PIPE



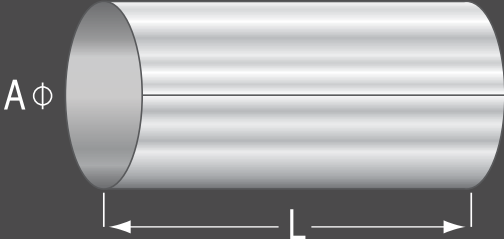
F157

TRIPLE RIB SPIRAL PIPE



F158

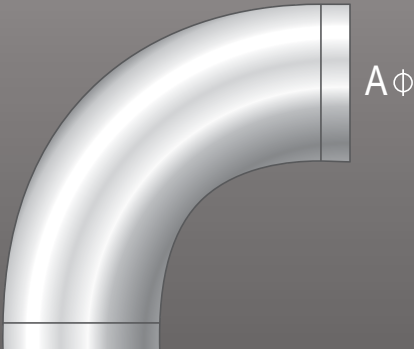
LONG SEAM PIPE



F165

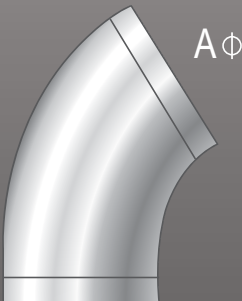
ELBOWS

90° DIE STAMPED ELBOW
3" DIAMETER THROUGH 9"



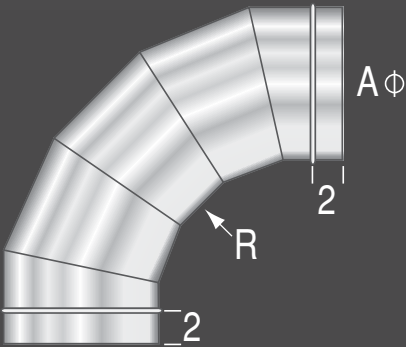
90 STAMP

45° DIE STAMPED ELBOW
3" DIAMETER THROUGH 9"



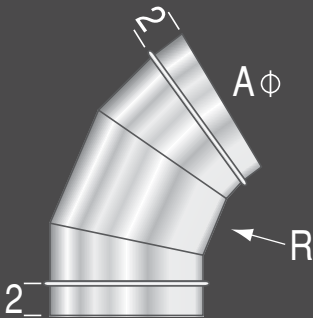
45 STAMP

90° GORED ELBOW
10" DIAMETER and LARGER



F52-90

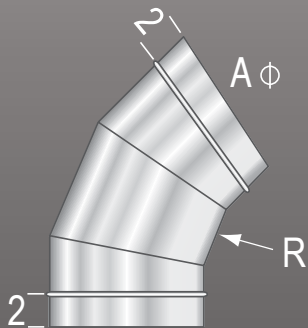
45° GORED ELBOW
10" DIAMETER and LARGER



F52-45

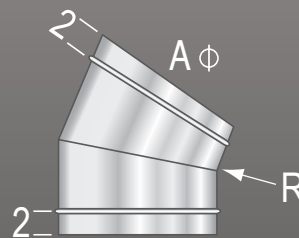
ELBOWS

**60° GORED ELBOW
3" DIAMETER AND LARGER**



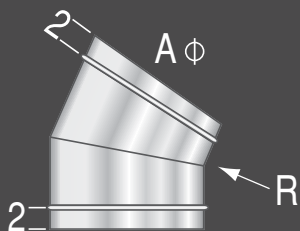
F52-60

**30° GORED ELBOW
3" DIAMETER AND LARGER**



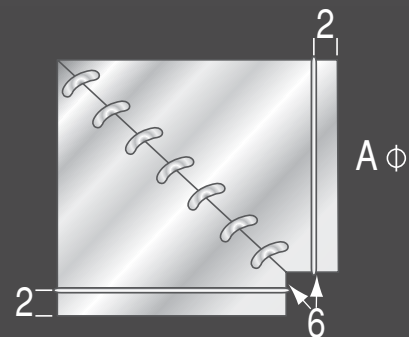
F52-30

**22.5° GORED ELBOW
3" DIAMETER AND LARGER**



F52-22.5

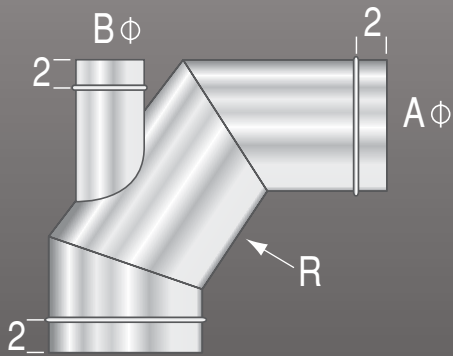
**MITERED 90° ELBOW
3" DIAMETER AND LARGER**



F92

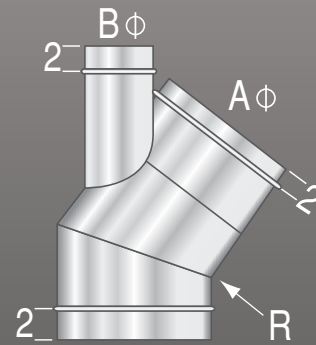
ELBOWS

HEEL-TAPPED 90° ELBOW



F91

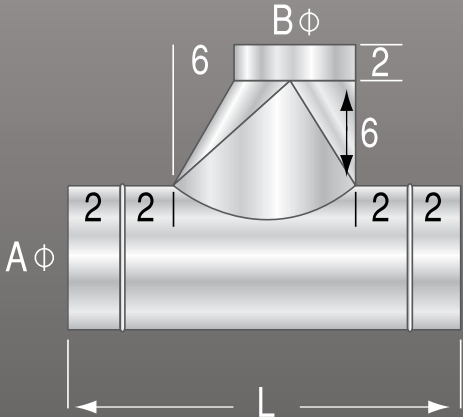
HEEL-TAPPED 45° ELBOW



F52-45TAP

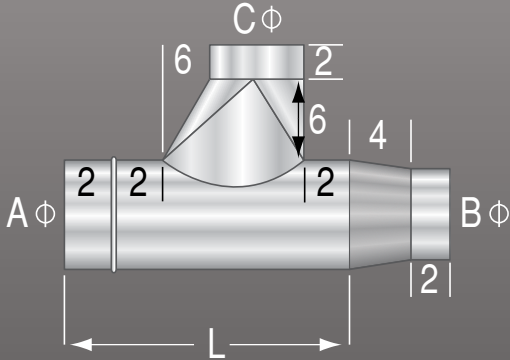
BOOT TEES

BOOT TEE



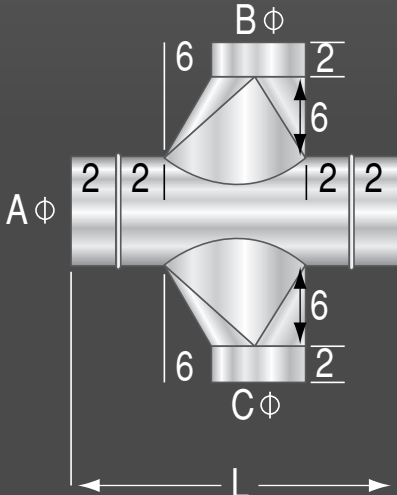
F243

BOOT TEE W/ REDUCER



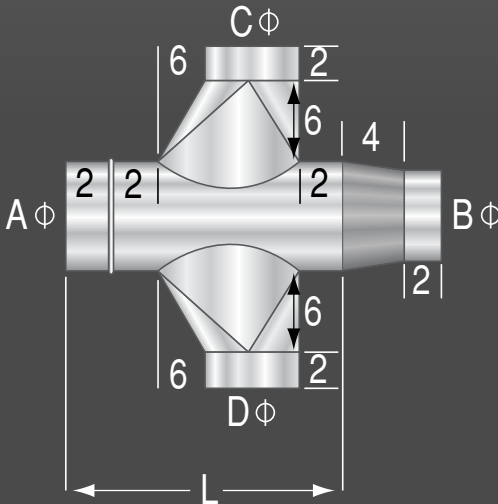
F223

BOOT CROSS



F85

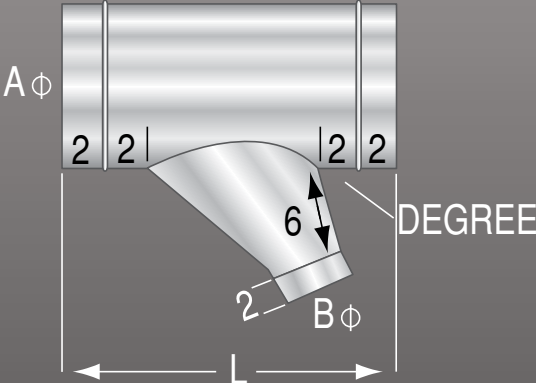
BOOT CROSS W/ REDUCER



F228

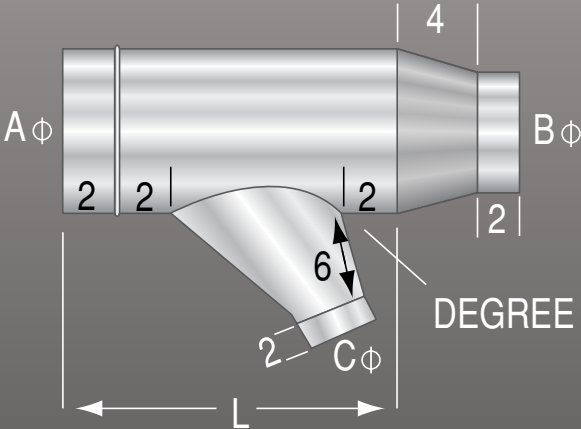
CONICAL LATERALS

CONICAL LATERAL



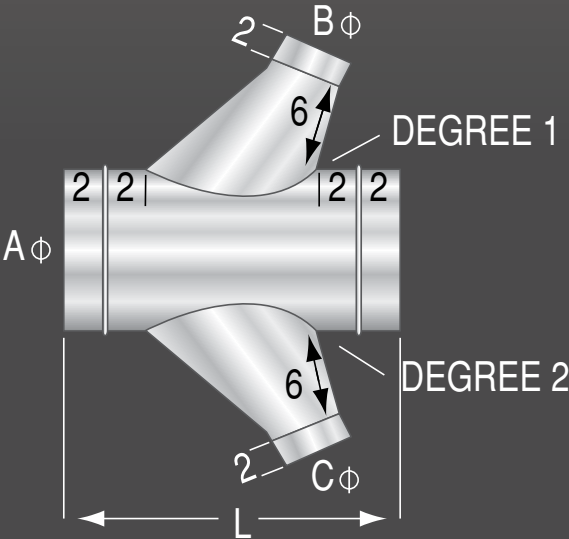
F112

CONICAL LATERAL W/ REDUCER



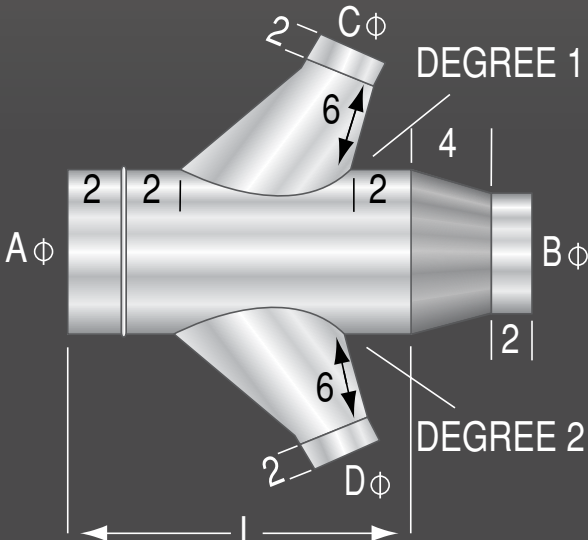
F112R

CONICAL LATERAL TEE



F120

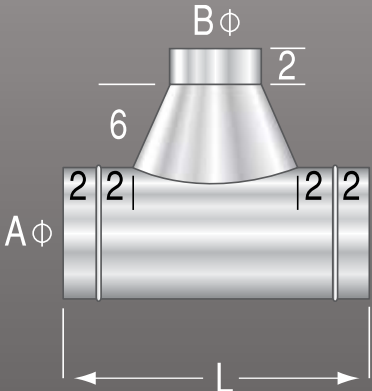
CONICAL LATERAL TEE W/ REDUCER



F120R

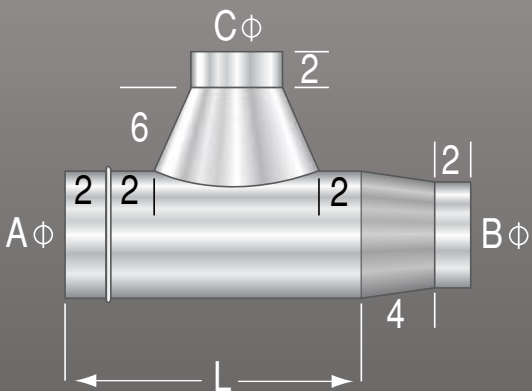
CONICAL TEES

CONICAL TEE



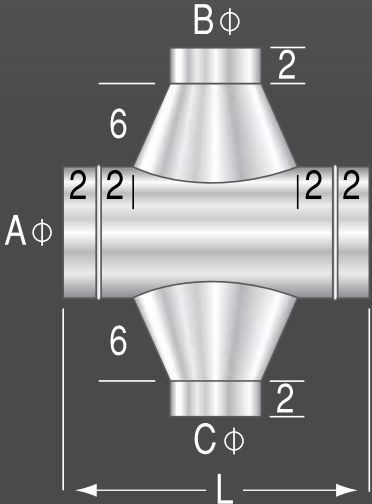
F56

CONICAL TEE W/ REDUCER



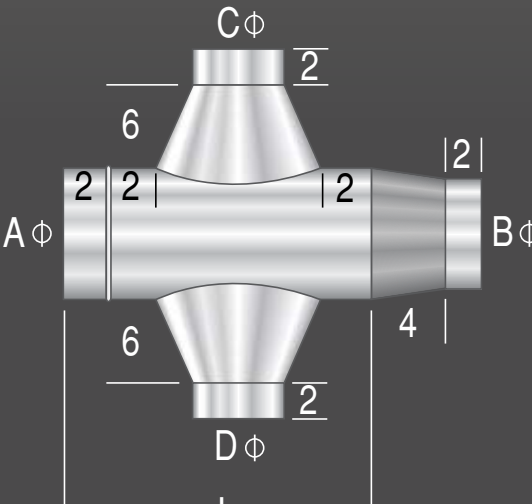
F61

CONICAL TEE CROSS



F245

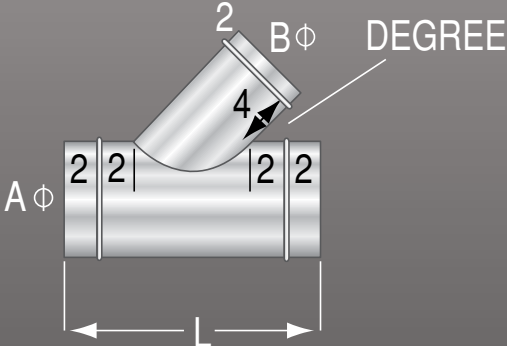
CONICAL TEE CROSS W/ REDUCER



F62

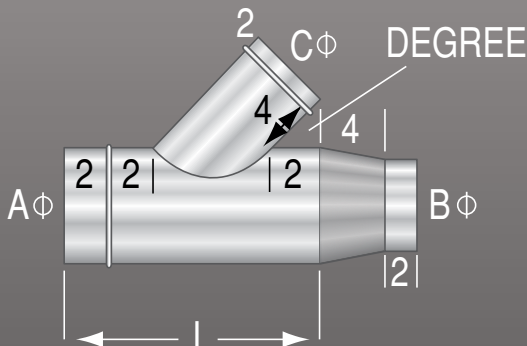
STRAIGHT LATERALS

LATERAL



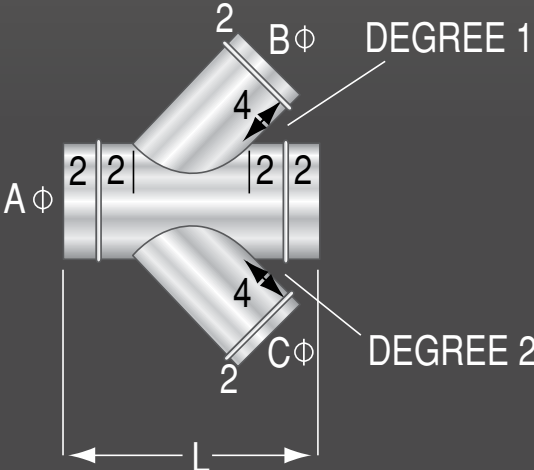
F54

LATERAL W/ REDUCER



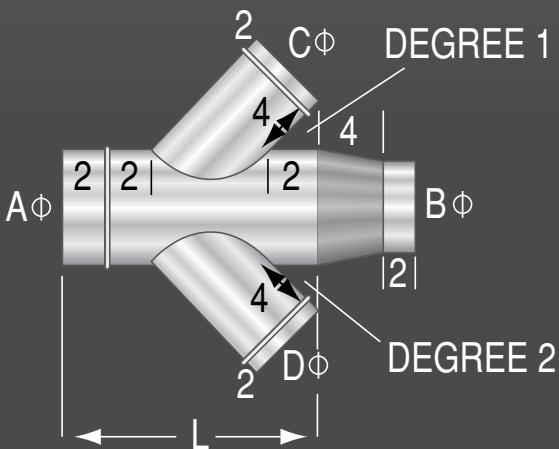
F63

LATERAL CROSS



F118

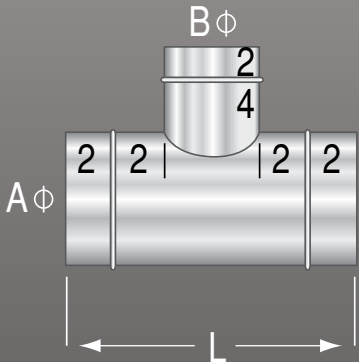
LATERAL CROSS W/ REDUCER



F64

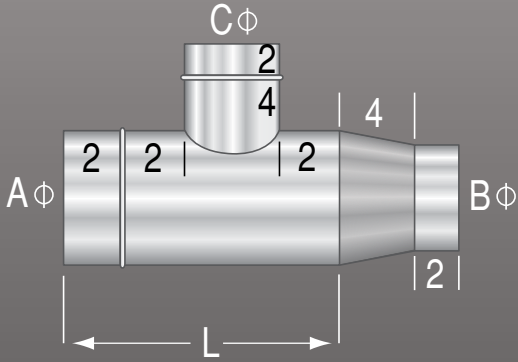
STRAIGHT TEES

TEE



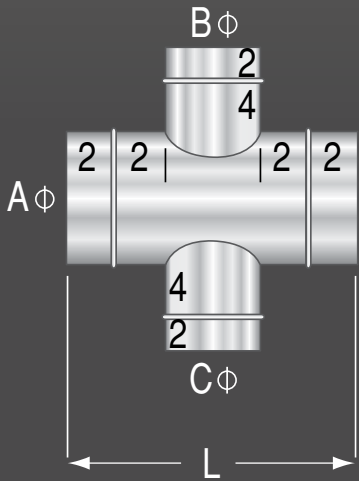
F55

TEE W/ REDUCER



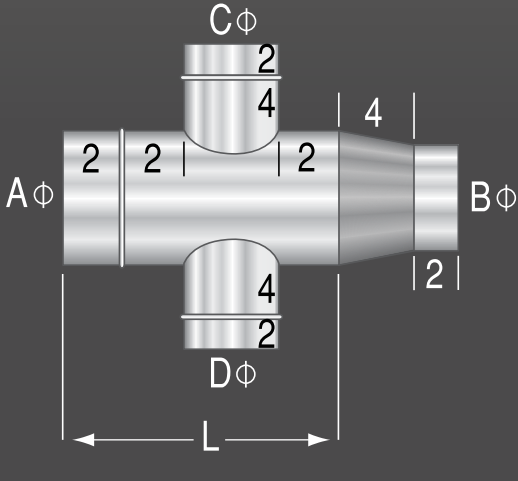
F65

TEE CROSS



F117

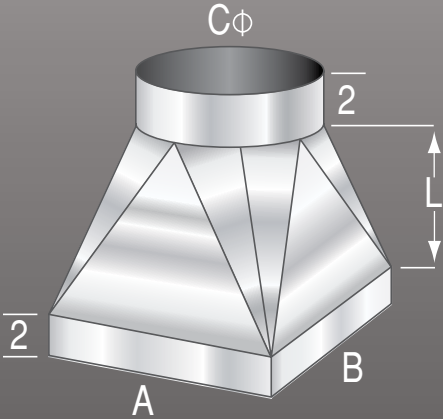
TEE CROSS W/ REDUCER



F66

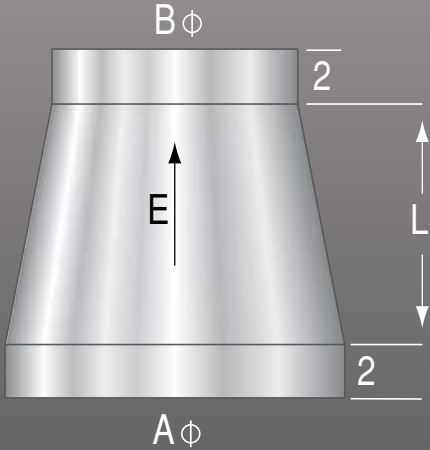
ROUND FITTINGS

SQUARE TO ROUND



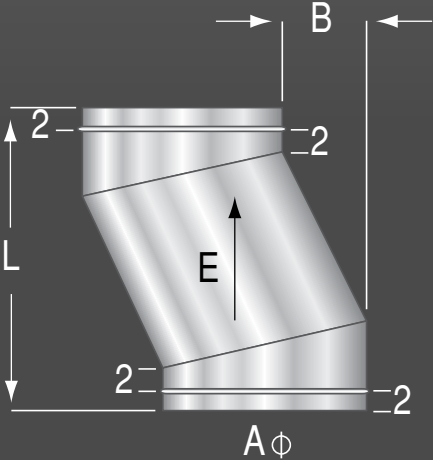
F50

OFFSET REDUCER



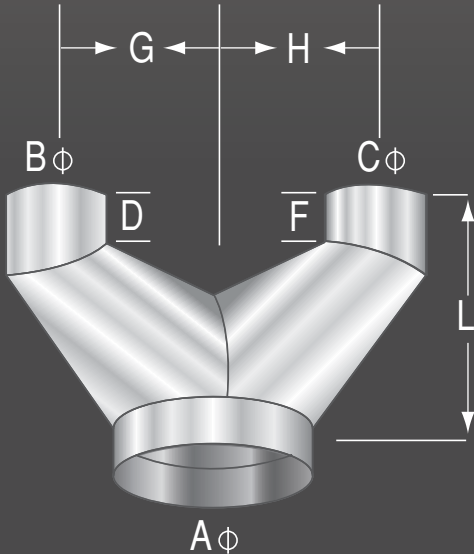
F69

ROUND OFFSET



F53

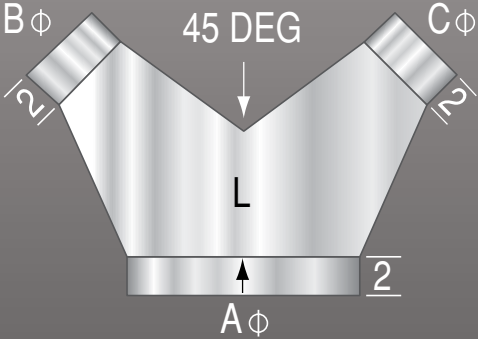
GORED WYE



F78

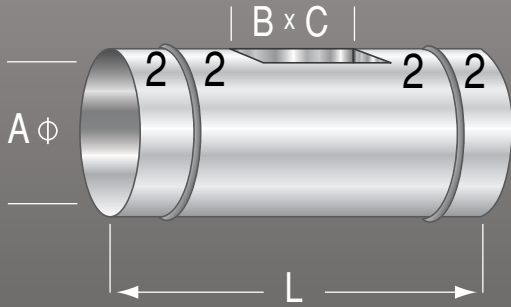
ROUND FITTINGS

VARIATION WYE BRANCH



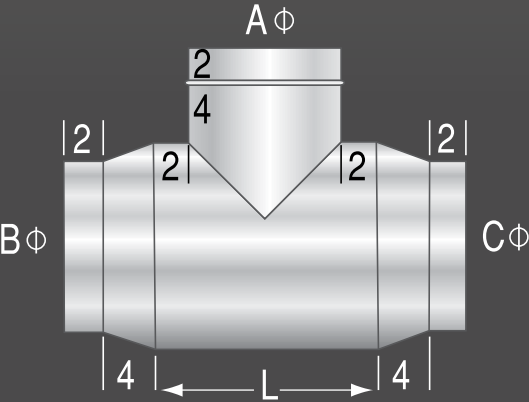
F71

ROUND PIPE W/ SQ. ACCESS HOLE



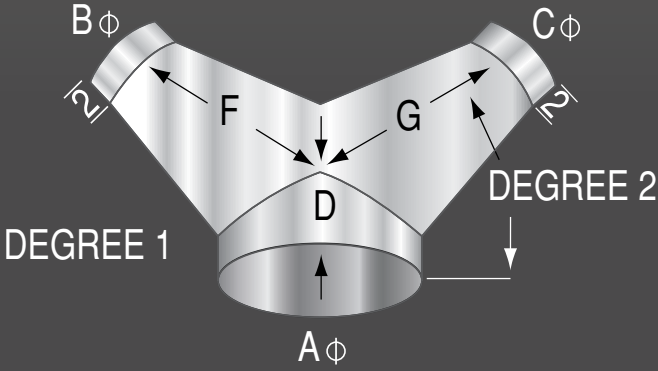
F90

REDUCING BULL HEAD TEE



F255

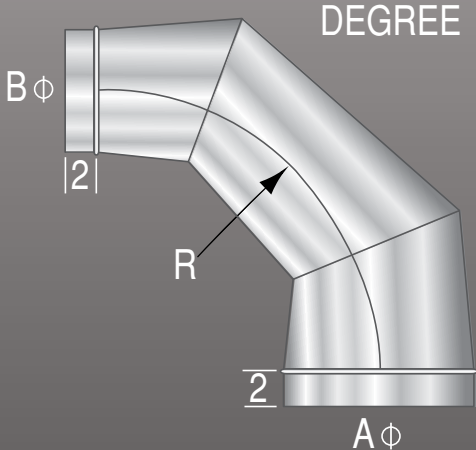
THREE PIECE WYE



F94

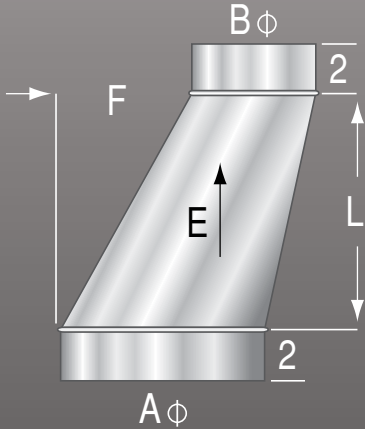
ROUND FITTINGS

REDUCING GORED ELBOW



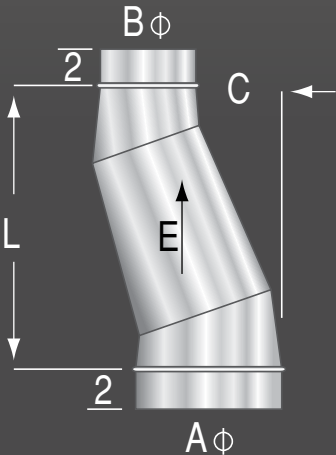
F284

ROUND TRANSITION



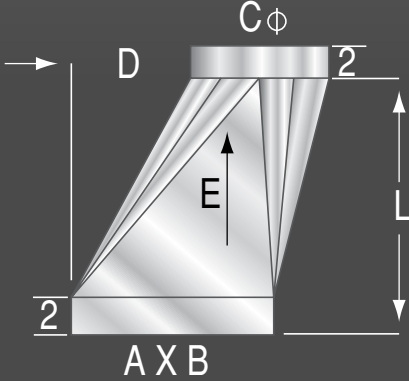
F69

REDUCING OFFSET



F70

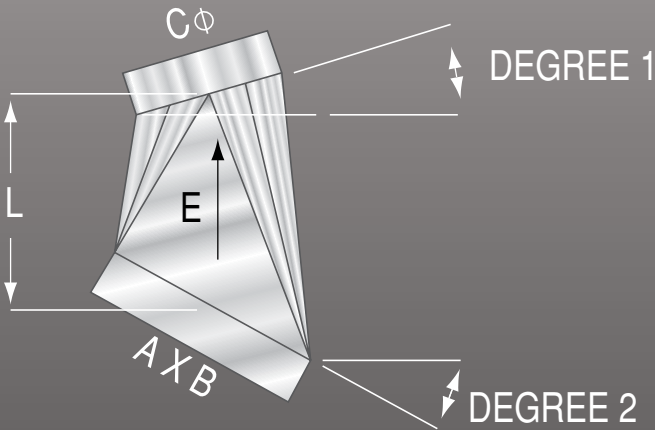
OFFSETTING SQUARE TO ROUND



F74

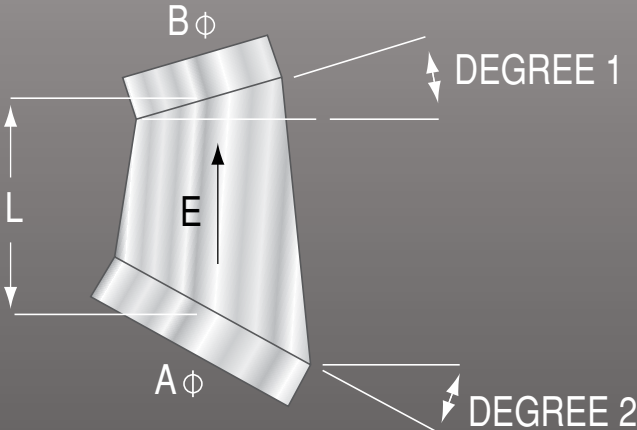
ROUND FITTINGS

MITERED SQUARE TO ROUND



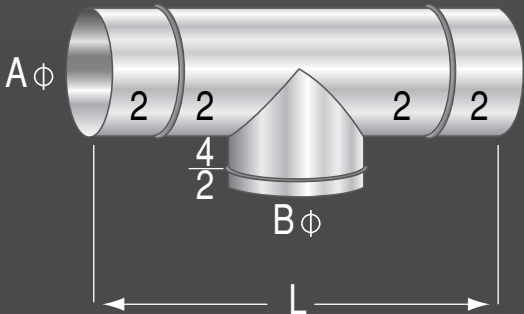
F58

MITERED ROUND REDUCER



F59

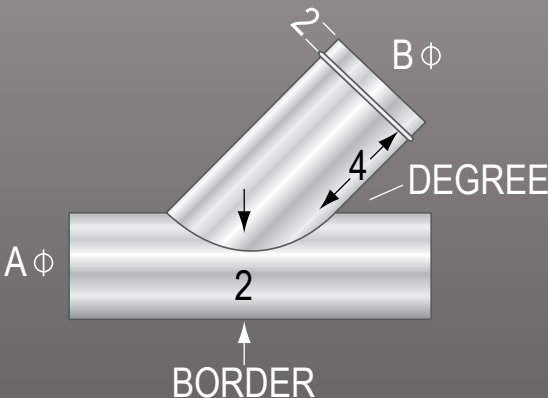
BULLHEAD TEE W/ VANES



F93

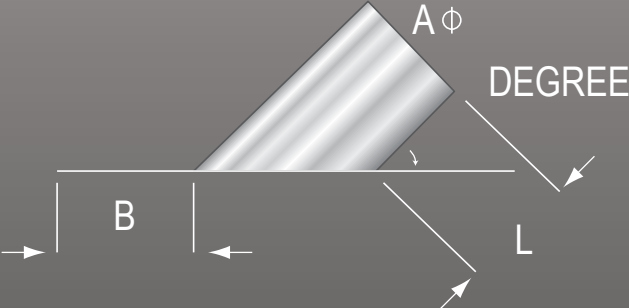
LATERAL TAPS

RADIUS SADDLE TAKEOFF



F67

FLAT SADDLE TAKEOFF



F68

MISCELLANEOUS

DUCT COUPLING



F100-IS

END CAP



F142

FITTING COUPLING



F100-SS

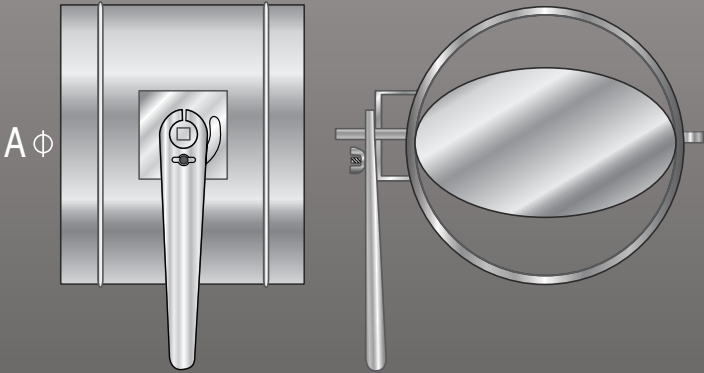
CANVAS FLEX CONNECTION



F213

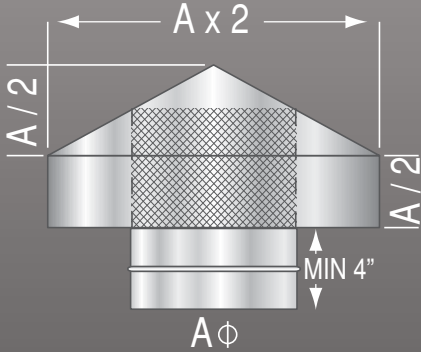
MISCELLANEOUS

DAMPER



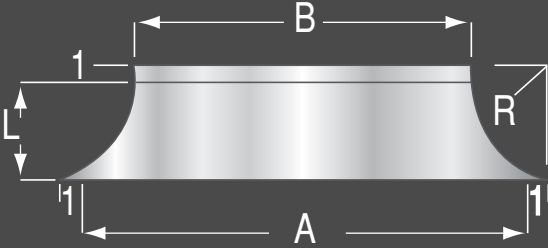
RD

RAIN CAP



RC

BELL MOUTH
(STANDARD RADIUS)
(SHORT RADIUS)



BM