

RECTANGULAR DUCTWORK

DUCT DIMENSIONS	GA.	JOINT	TRANSVERSE JOINT TYPE	TRANSVERSE JOINT REINFORCEMENT	INTERMEDIATE REINFORCEMENT	WATER GAUGE
1" WATER GAUGE						
0" - 16"	26	5'	Flat "S" and Drive	Not required	Not required	1"
17" - 28"	26	5'	S & Drive (TDC if drive side above 20")	1"X 22 gauge standing S	Not required	1"
29" - 30"	26	5'	T-25a	Not required	Not required	1"
31" - 42"	24	5'	T-25a	Not required	Not required	1"
43" - 54"	22	5'	T-25a	Not required	Not required	1"
55" - 72"	22	5'	T-25a	Not required	Mid-panel Conduit	1"
73" - 84"	20	5'	T-25a	Conduit	Mid-panel Conduit	1"
85" - 96"	20	5'	T-25a	Conduit	(2) Mid-panel Conduits	1"
97" - 108"	18	5'	T-25a	Conduit	2x3/16 Angle and MP Conduit	1"
109" - 120"	18	5'	T-25a	Conduit	2x3/16 Angle and MP Conduit	1"

2" WATER GAUGE						
0" - 12"	26	5'	Flat "S" and Drive	Not required	Not required	2"
13" - 20"	26	5'	S & Drive (TDC if drive side above 20")	1"X 24 gauge standing S	Not required	2"
21" - 26"	26	5'	T-25a	Not required	Not required	2"
27" - 30"	24	5'	T-25a	Not required	Not required	2"
31" - 42"	24	5'	T-25a	Not required	Mid-panel Conduit	2"
43" - 54"	22	5'	T-25a	Not required	Mid-panel Conduit	2"
55" - 60"	22	5'	T-25a	Conduit	Mid-panel Conduit	2"
61" - 72"	20	5'	T-25a	Conduit	Mid-panel Conduit	2"
73" - 96"	20	5'	T-25a	Conduit	(2) Mid-panel Conduits	2"
97" - 120"	18	5'	T-25a	Conduit	Mid-panel Conduit + 2x2 angle	2"

RECTANGULAR DUCTWORK

DUCT DIMENSIONS	GA.	JOINT	TRANSVERSE JOINT TYPE	TRANSVERSE JOINT REINFORCEMENT	INTERMEDIATE REINFORCEMENT	WATER GAUGE
3" WATER GAUGE						
0" - 12"	26	5'	Flat "S" and Drive	Not required	Not required	3"
13" - 18"	24	5'	S & Drive (TDC if drive side above 20")	1"X 24 gauge standing S	Not required	3"
19" - 22"	24	5'	S & Drive (TDC if drive side above 20")	1"X 22 gauge standing S	Not required	3"
23" - 26"	24	5'	T-25a	Not required	Not required	3"
27" - 30"	22	5'	T-25a	Not required	Not required	3"
31" - 42"	22	5'	T-25a	Not required	Mid-panel Conduit	3"
43" - 54"	22	5'	T-25a	Conduit	Mid-panel Conduit	3"
55" - 60"	20	5'	T-25a	Conduit	Mid-panel Conduit	3"
61" - 84"	20	5'	T-25a	Conduit	(2) Mid-panel Conduits	3"
85" - 96"	18	5'	T-25a	Conduit	(2) Mid-panel Conduits	3"
97" - 120"	18	5'	T-25a	Conduit	2 1/2 x 1/4 Angle + MPC	3"

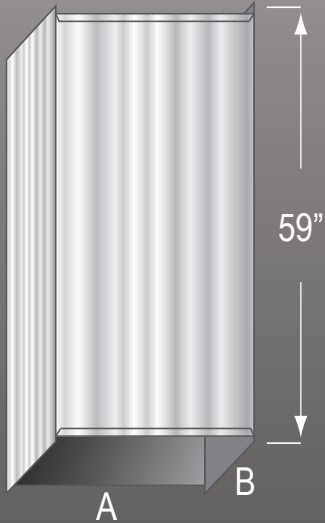
4" WATER GAUGE						
0" - 12"	26	5'	T-25a	Not required	Not required	4"
13" - 22"	24	5'	T-25a	Not required	Not required	4"
23" - 30"	24	5'	T-25a	Not required	Mid-panel Conduit	4"
31" - 36"	22	5'	T-25a	Not required	Mid-panel Conduit	4"
37" - 42"	22	5'	T-25a	Conduit	Mid-panel Conduit	4"
43" - 60"	20	5'	T-25a	Conduit	Mid-panel Conduit	4"
61" - 72"	20	5'	T-25a	Conduit	(2) Mid-panel Conduits	4"
73" - 96"	18	5'	T-25a	Conduit	(2) Mid-panel Conduits	4"
97" - 120"	18	5'	T-25a	Conduit	2 1/2 x 1/4 Angle + MPT	4"

RECTANGULAR DUCTWORK

DUCT DIMENSIONS	GA.	JOINT	TRANSVERSE JOINT TYPE	TRANSVERSE JOINT REINFORCEMENT	INTERMEDIATE REINFORCEMENT	WATER GAUGE
6" WATER GAUGE						
0" - 8"	26	5'	T-25a	Not required	Not required	6"
9" - 12"	24	5'	T-25a	Not required	Not required	6"
13" - 24"	22	5'	T-25a	Not required	Not required	6"
25" - 30"	22	5'	T-25a	Not required	Mid-panel Conduit	6"
31" - 36"	20	5'	T-25a	Not required	Mid-panel Conduit	6"
37" - 60"	20	5'	T-25a	Conduit	Mid-panel Conduit	6"
61" - 72"	18	5'	T-25a	Conduit	Mid-panel Conduit	6"
73" - 84"	18	5'	T-25a	Conduit	(2) Mid-panel Conduits	6"
85" - 96"	18	4'	T-25a	Conduit	(2) Mid-panel Conduits	6"
97" - 120"	18	2'	T-25a	Conduit	N/A	6"

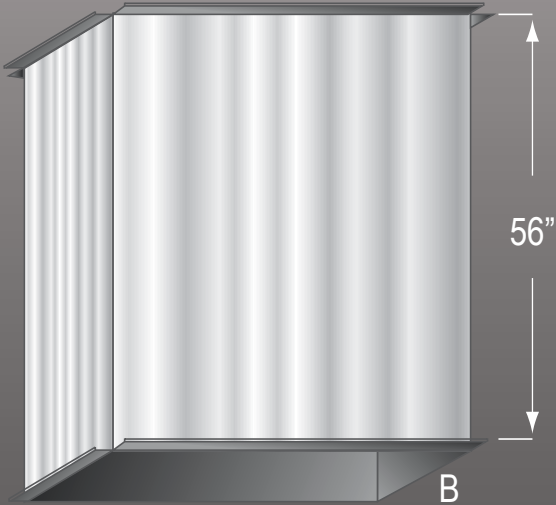
STRAIGHT DUCT

S & DRIVE STRAIGHT DUCT



FS-59

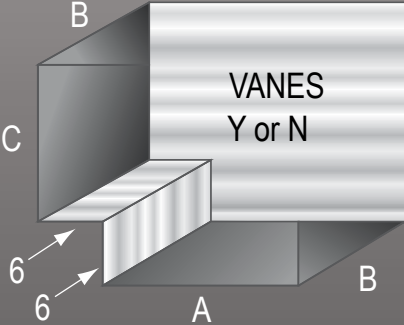
TDC STRAIGHT DUCT



FS-56

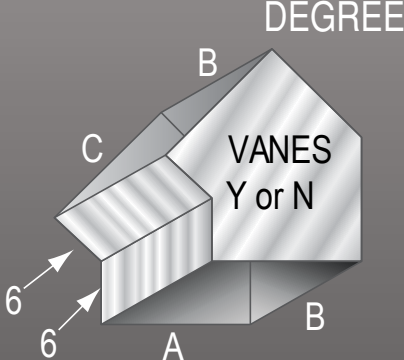
ELBOWS

SQUARE 90° DEGREE ELBOW



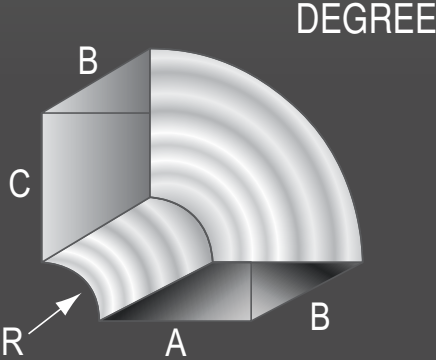
F1

ANGLE ELBOW



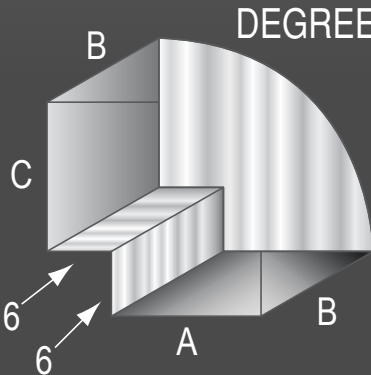
F3

RADIUS ELBOW



F4

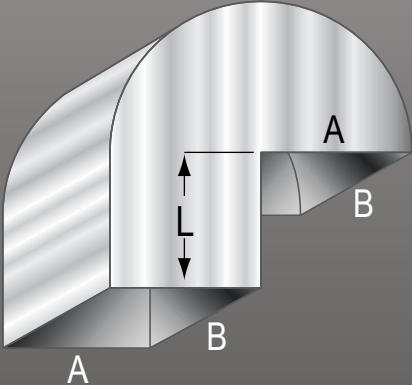
SQ. THROAT RAD. HEEL ELBOW



F2

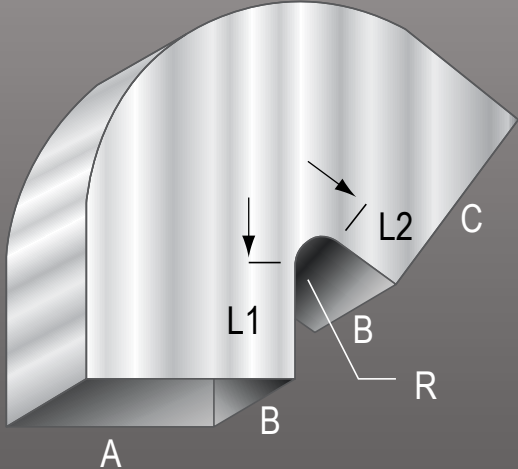
ELBOWS

180° GOOSENECK



F25

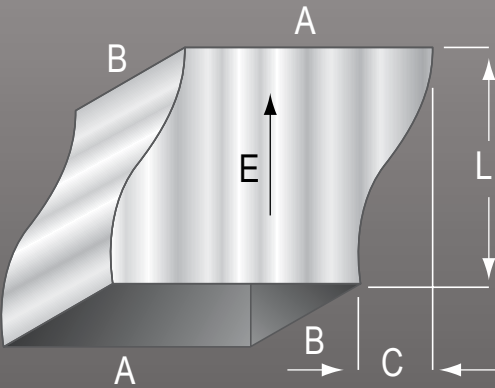
INCREASE AREA
RAD. GOOSENECK



F31

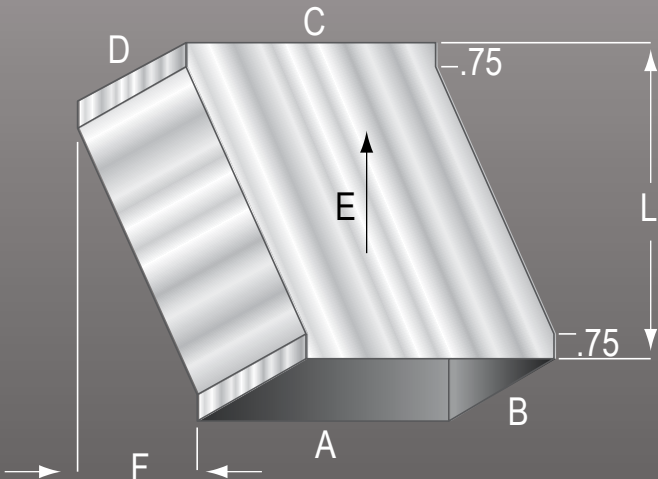
TRANSITION & OFFSETS

L TO R O.G. OFFSET



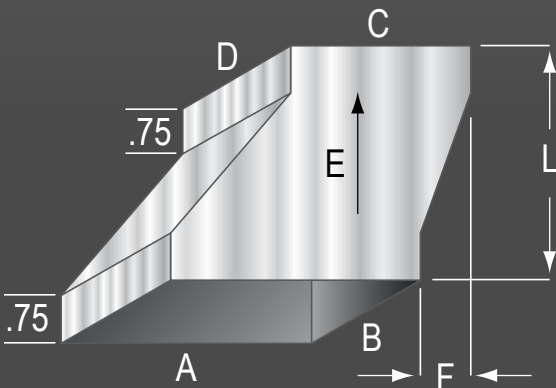
F7

R TO L DOG LEG OFFSET



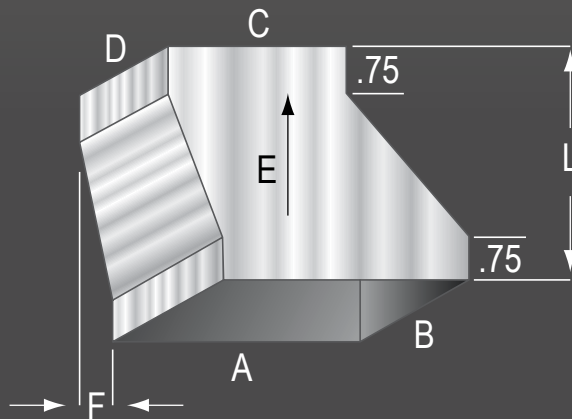
F13

TRANS. L TO R DOG LEG OFFSET



F14

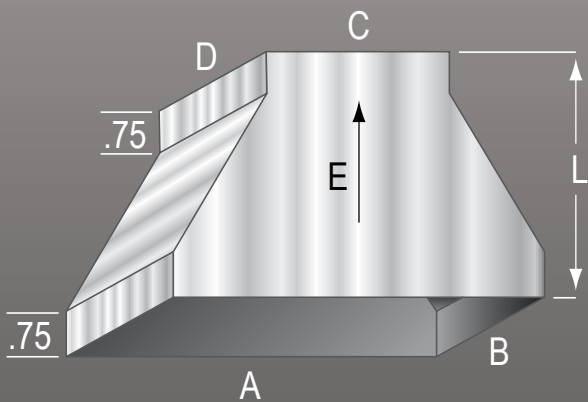
TRANS. R TO L DOG LEG OFFSET



F13TR

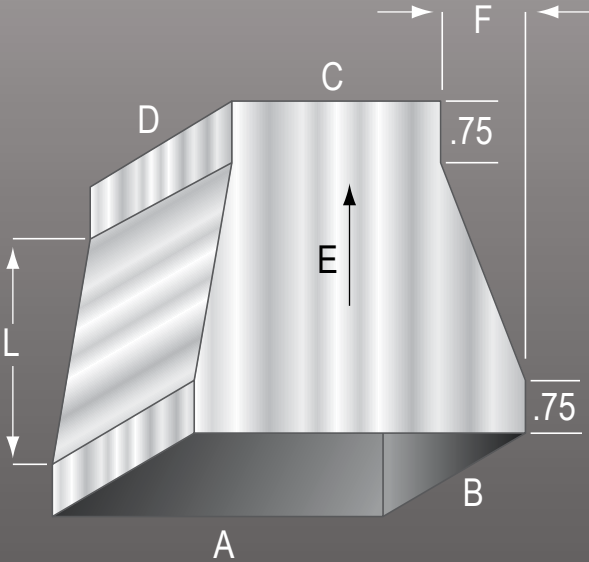
TRANSITION & OFFSETS

CENTERLINE TRANSITION



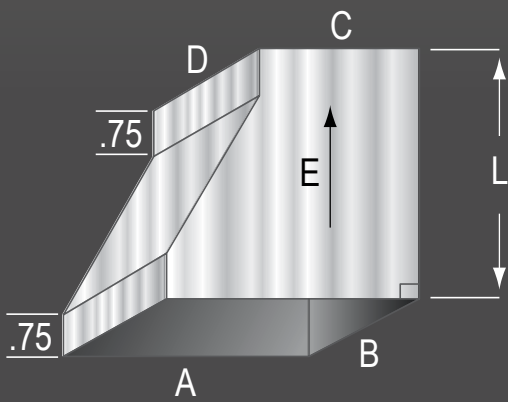
F12

TRANSITION OFFSET



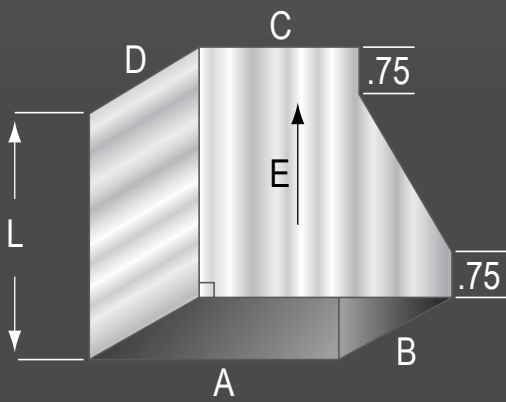
F18

STRAIGHT RIGHT TRANSITION



F10

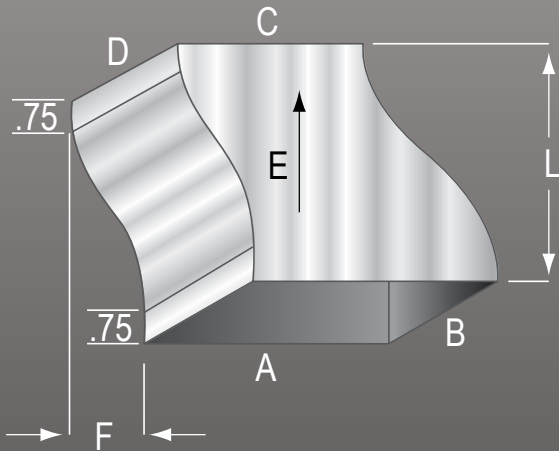
STRAIGHT LEFT TRANSITION



F11

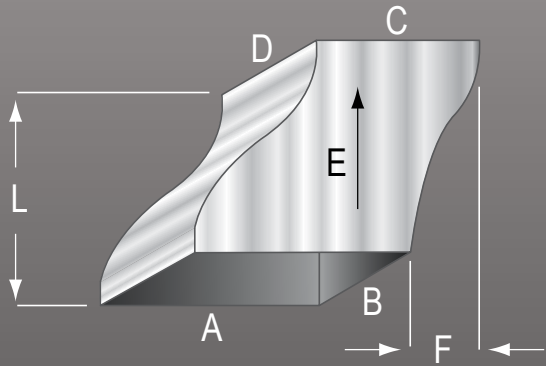
TRANSITION & OFFSETS

TRANS. L TO L.O.G. OFFSET



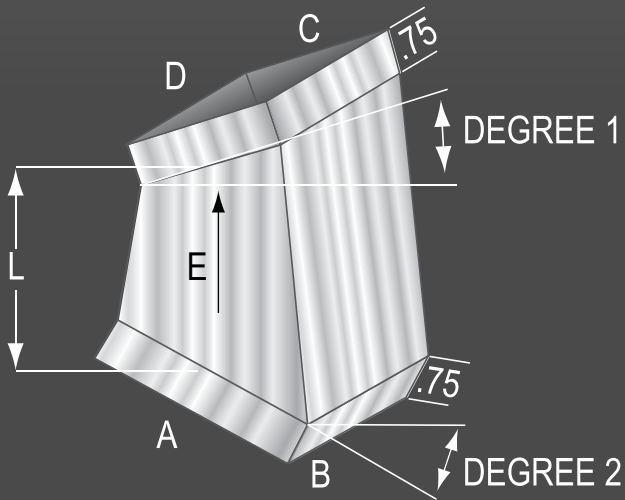
F8

TRANS. L TO R.O.G. OFFSET



F7

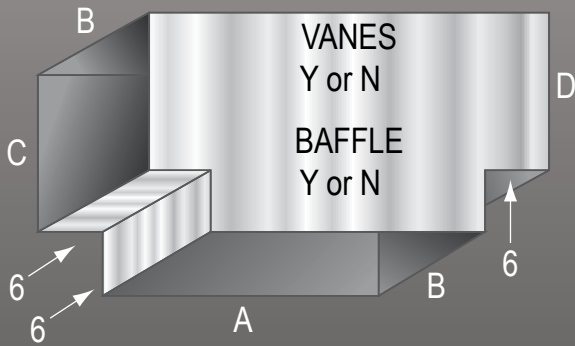
MITERED TRANSITION



F48

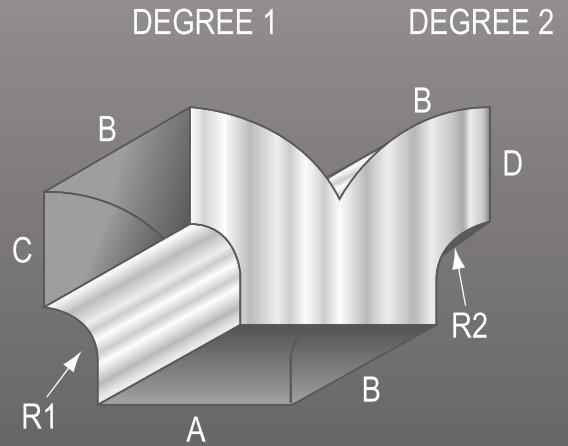
MISCELLANEOUS

SQUARE TEE



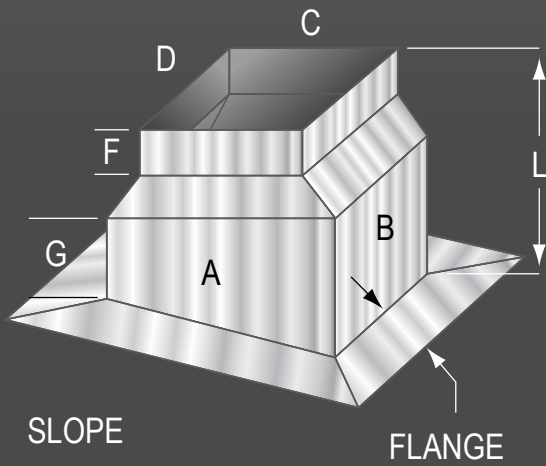
F5

RADIUS TEE



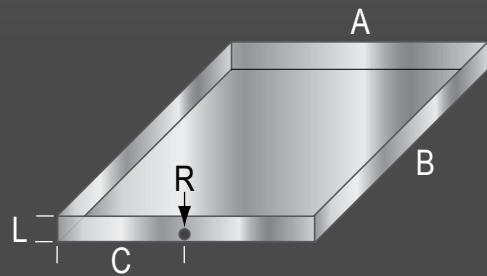
F22

ROOF CURB



F35

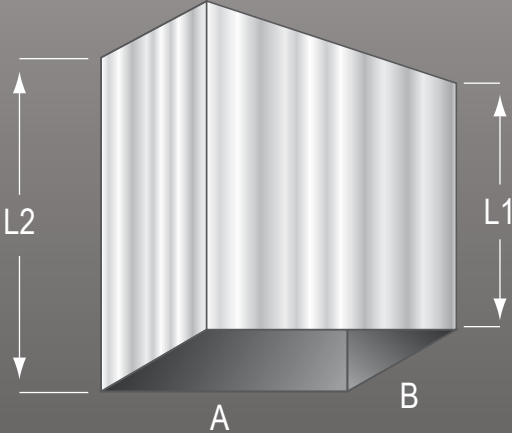
PAN W/ SIDE HOLE



F29

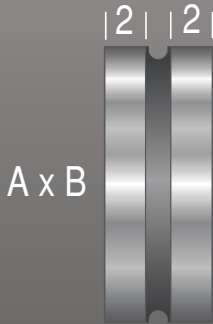
MISCELLANEOUS

MITERED DUCT



F34

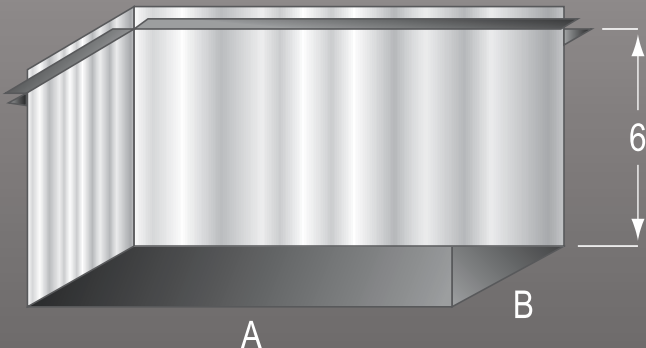
FLEX CONNECTION



S

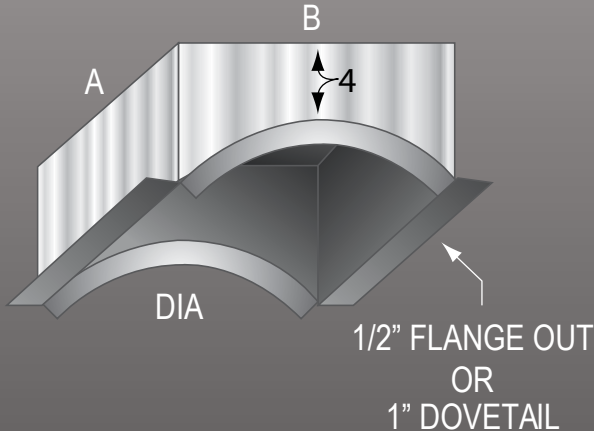
TAPS

STRAIGHT TAP



F17

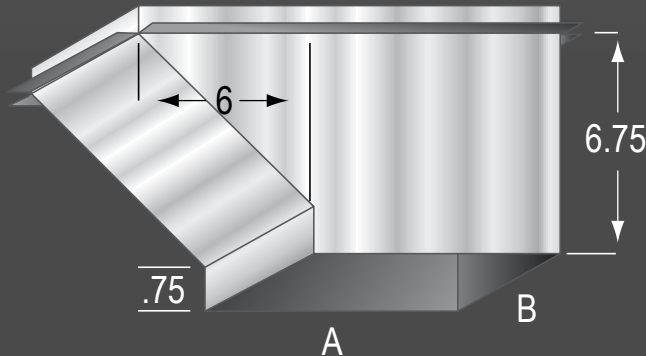
RECT. SADDLE OFF ROUND PIPE



F36

45° ANGLE TAP

KNUCKLE JOINT



F16