

SPIRAL PIPE - OVAL SINGLE WALL

Duct Direct Pipe and Fittings are manufactured in accordance with 2005 SMACNA Duct Construction Standards (1995 SMACNA Standards on request)

OVAL SUBMITTAL

Oval Single Wall Duct is constructed of the following minimum. U.S. standard gauges of Galvanized Steel with a 4-ply seam.

| MAJOR DIMENSION DUCT WIDTH | GAUGE |
|-------------------------------|-------|
| Up to 24" | 24 |
| 25" - 48" | 22 |
| 49" - 70" | 20 |
| 71" and up | 18 |

STANDARD OVAL PIPE LENGTHS

Unless requested Duct Direct spiral lengths will be as follows

| MAJOR DIMENSION DUCT WIDTH | LENGTHS |
|----------------------------------|---------------------------------------|
| 3" - 23" | 10 foot lengths |
| 24" and up | Cut to length (not to exceed 12 foot) |
| Welded Longitudinal Seam Pipe | All sizes supplied in 5 foot lengths |

OVAL FITTINGS & LONGITUDINAL SEAM PIPE SUBMITTALS

Oval Fittings & Longitudinal Seam Pipe are constructed of the following minimum

| NOMINAL DIAMETER | GAUGE |
|------------------|-------|
| 3" - 26" | 24 |
| 27" - 42" | 22 |
| 43" - 60" | 20 |
| 61" - 80" | 18 |

*All seams are welded; any Galvanized coating damaged in the welding process will be painted with corrosion resistant paint

OVAL ELBOW SUBMITTAL

3 gores and 5 gores respectively are constructed with a centerline radius equal to 1½ times the diameter of the elbow. 2 piece die stamped construction will be used through 10" diameter.

| ELBOW ANGLE | NUMBER OF GORES |
|-------------|-----------------|
| Up to 30° | 2 |
| 31° - 60° | 3 |
| 61° - 90° | 5 |

2-PIECE MITERED ELBOW VANE SUBMITTAL

2 piece mitered elbows with turning vanes will be used where space is limited

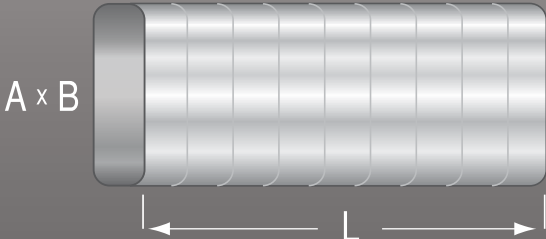
| NOMINAL DIAMETER | NUMBER OF VANES |
|------------------|-----------------|
| 3" - 9" | 3 |
| 10" - 13" | 4 |
| 14" - 19" | 5 |
| 20" - 57" | 6 |
| 58" + | 12" SPACING |

COUPLINGS

Pipe-to-pipe joints to 30" diameter are sleeve coupling. Pipe-to-fitting joints to 30" diameter are slip fit; collar of fitting projecting into pipe. Pipe-to-pipe and pipe-to-fitting connections 31" and larger, Direct Flanges are recommended.

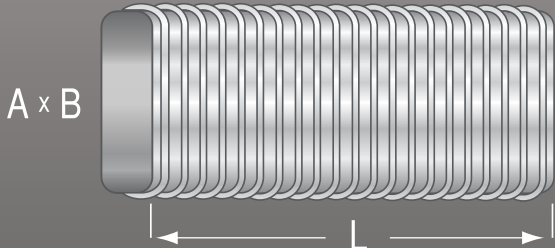
OVAL SPIRAL PIPE

OVAL SPIRAL PIPE



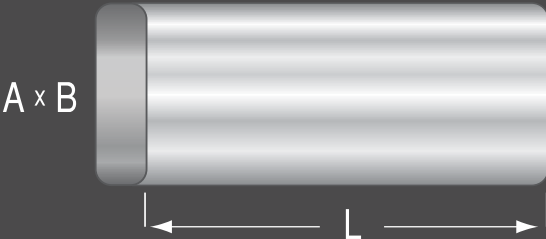
SP

OVAL TRIPLE RIB PIPE



SP - RIB

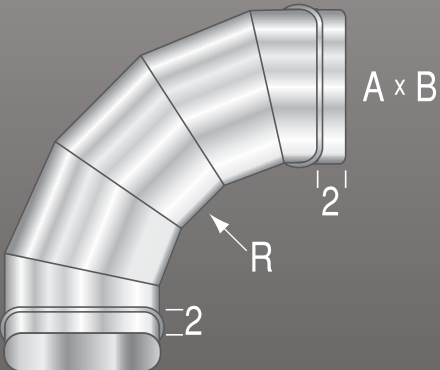
LONG SEAM PIPE



F165-OV

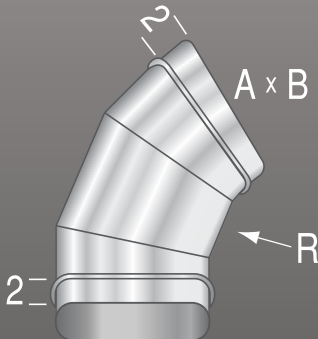
OVAL ELBOWS

90° OVAL ELBOW



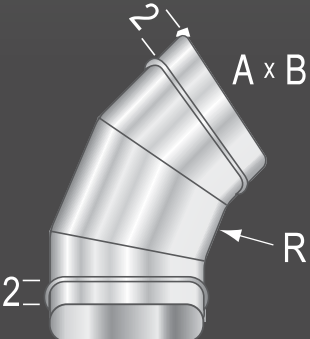
F52-90-OV

45° OVAL ELBOW



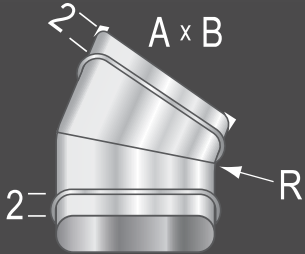
F52-45-OV

60° OVAL ELBOW



F52-60-OV

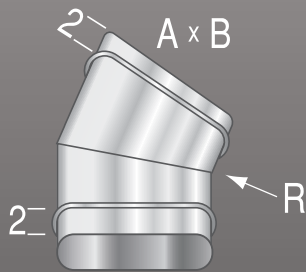
30° OVAL ELBOW



F52-30-OV

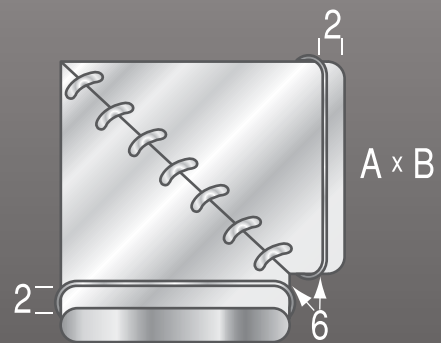
OVAL ELBOWS

22.5° OVAL ELBOW



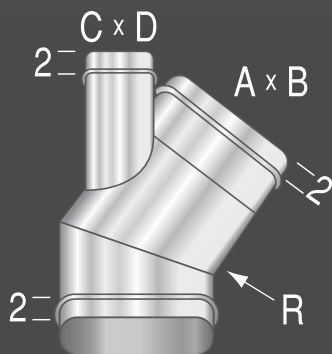
F52-22.5-OV

OVAL MITERED 90° ELBOW



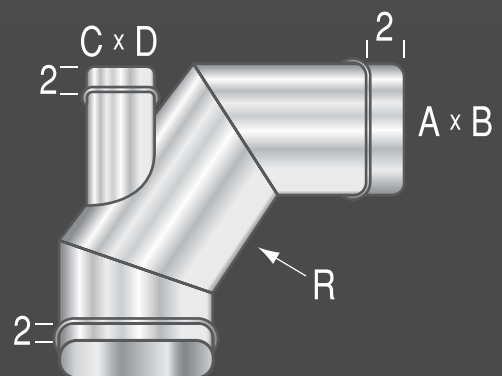
F130-OV

OVAL HEEL-TAPPED 45° ELBOW



F52-45TAP-OV

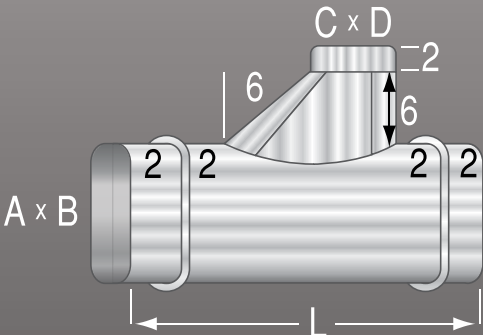
OVAL HEEL-TAPPED 90° ELBOW



F91-OV

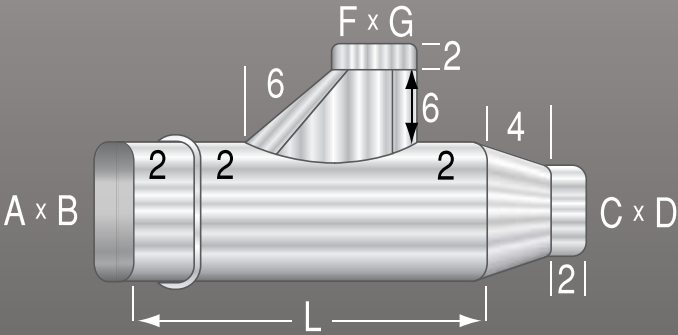
OVAL BOOT TEES

OVAL BOOT TEE



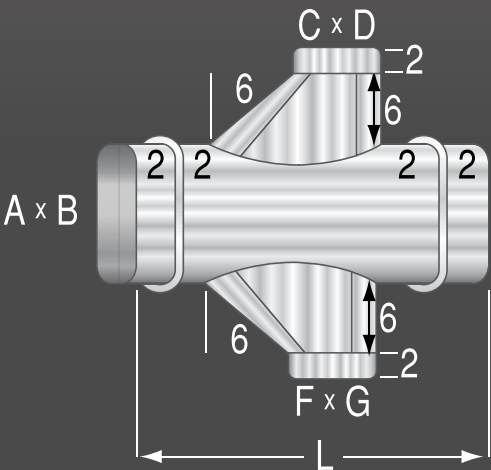
F124-OV

OVAL BOOT TEE W/ REDUCER



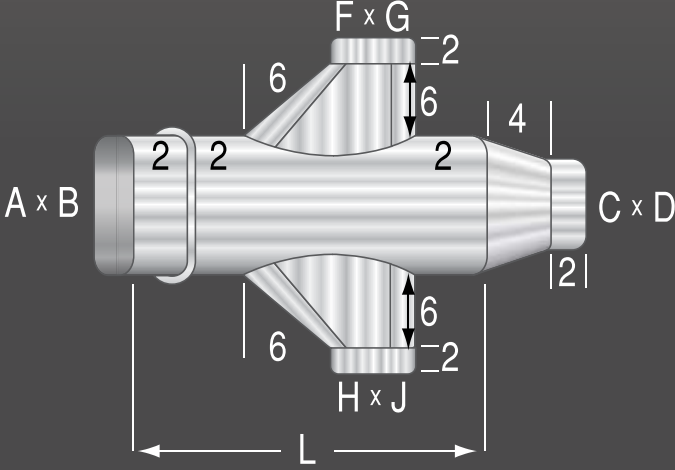
F124R-OV

OVAL BOOT CROSS



F121-OV

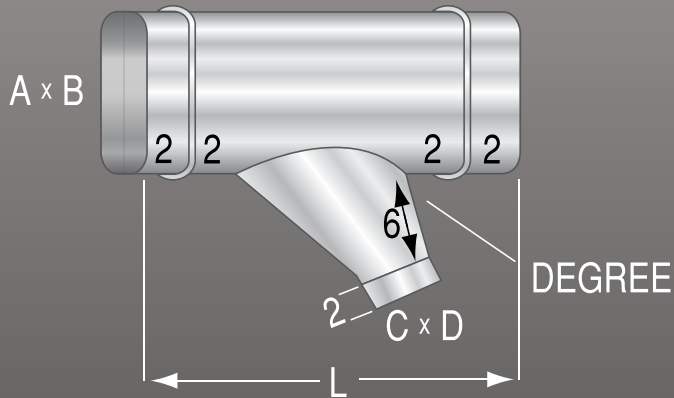
OVAL BOOT CROSS W/ REDUCER



F121R-OV

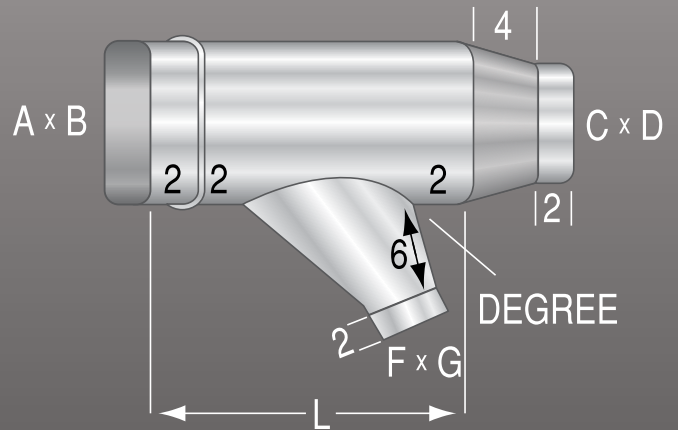
OVAL CONICAL LATERALS

OVAL CONICAL LATERAL



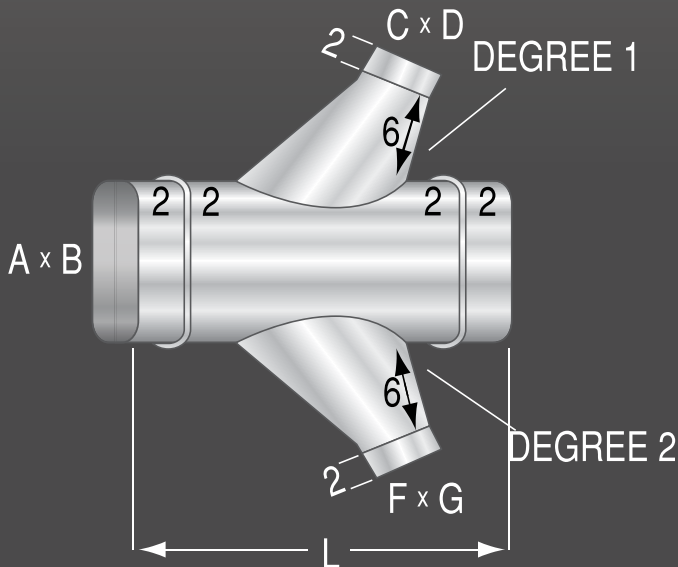
F112-OV

OVAL CONICAL LATERAL
W/ REDUCER



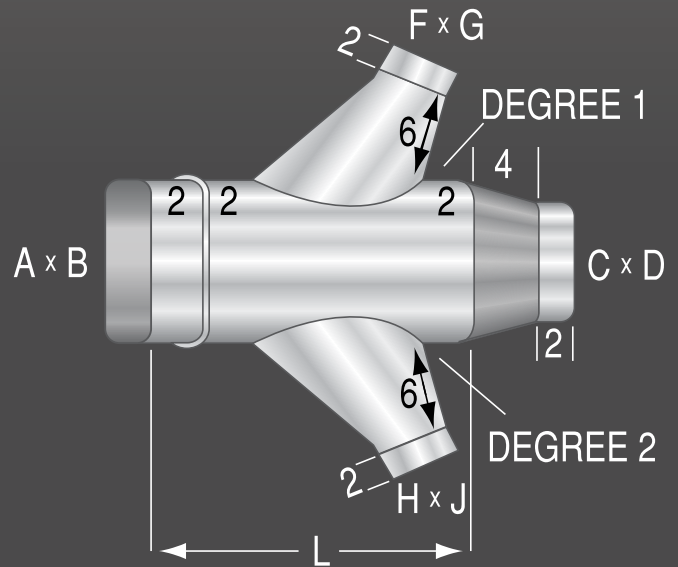
F112R-OV

OVAL CONICAL LATERAL TEE



F120-OV

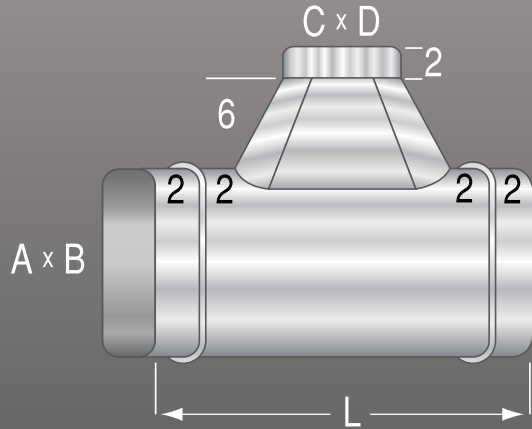
OVAL CONICAL LATERAL TEE
W/ REDUCER



F120R-OV

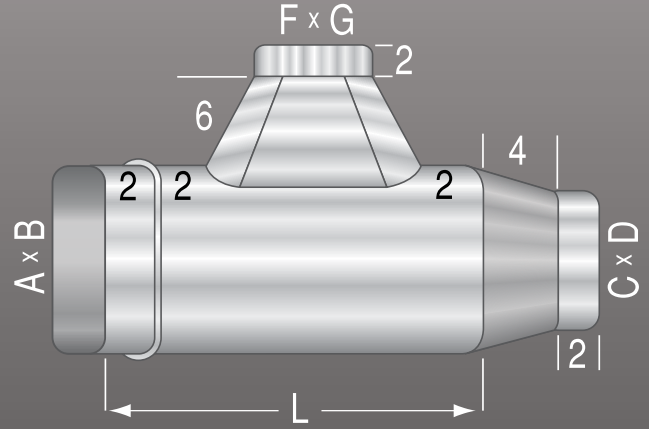
OVAL CONICAL TEES

OVAL CONICAL TEE



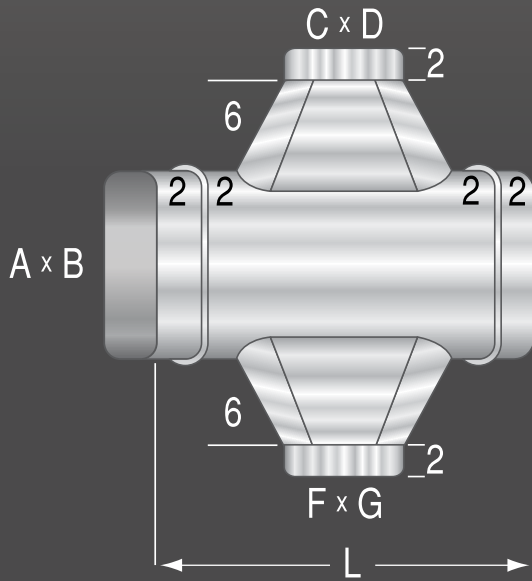
F111-OV

OVAL CONICAL TEE W/ REDUCER



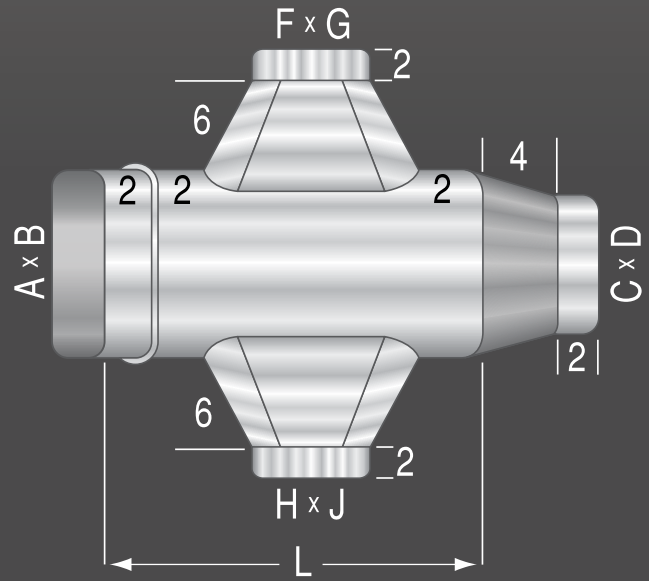
F187-OV

OVAL CONICAL TEE CROSS



F120-OV

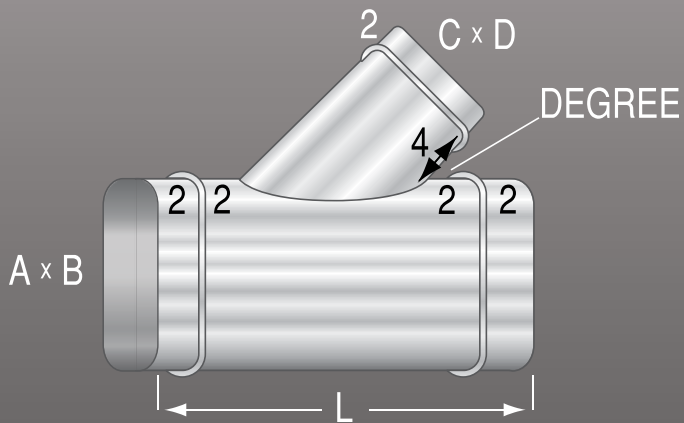
OVAL CONICAL TEE CROSS W/ REDUCER



F120R-OV

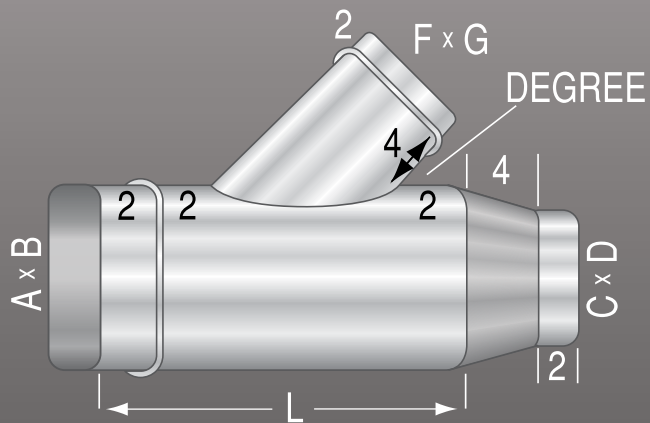
OVAL STRAIGHT LATERALS

OVAL LATERAL



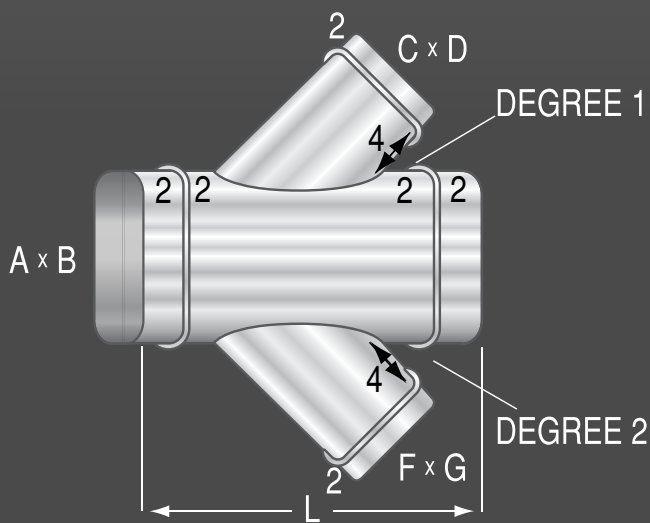
F110-OV

OVAL LATERAL W/ REDUCER



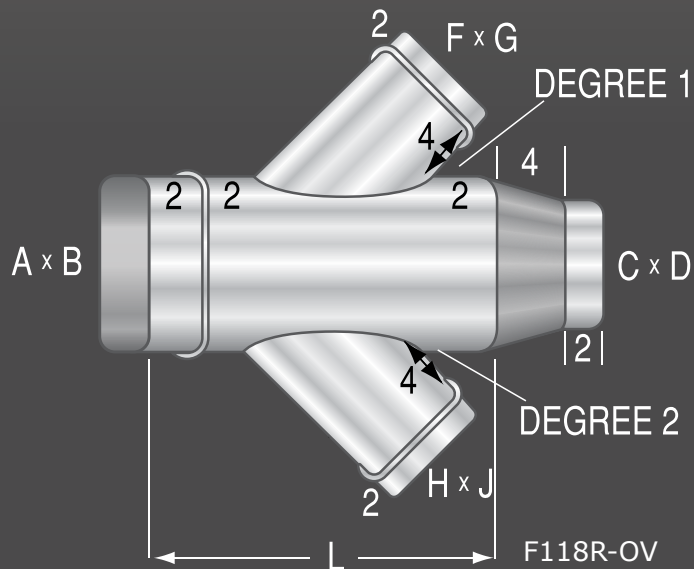
F187-OV

OVAL LATERAL CROSS



F118-OV

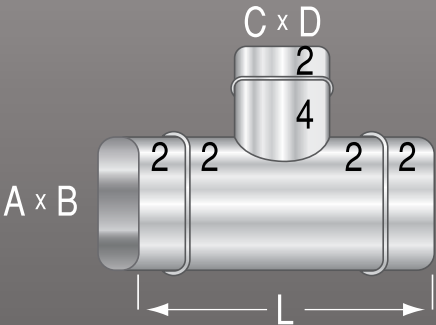
OVAL LATERAL CROSS W/ REDUCER



F118R-OV

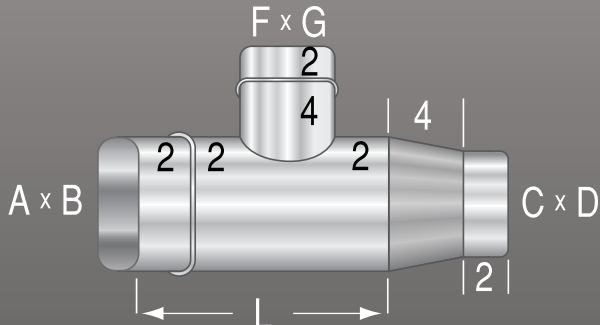
OVAL STRAIGHT TEES

OVAL TEE



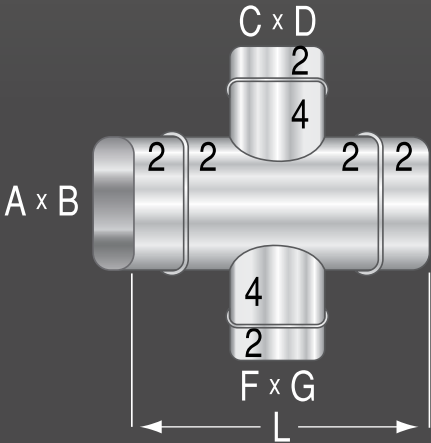
F109-OV

OVAL TEE W/ REDUCER



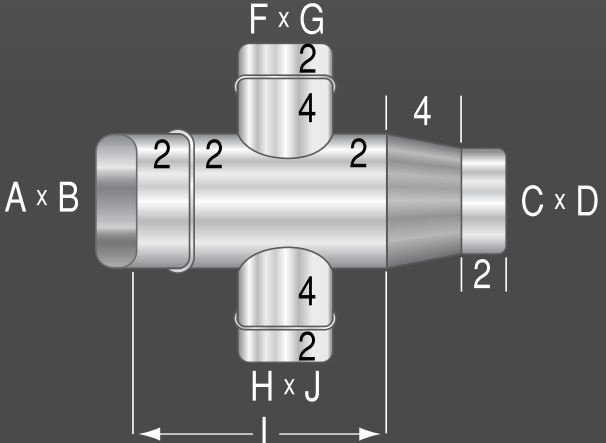
F205-OV

OVAL TEE CROSS



F117-OV

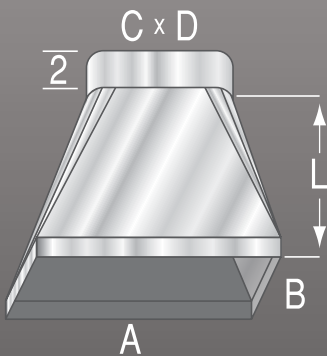
OVAL TEE CROSS W/ REDUCER



F209-OV

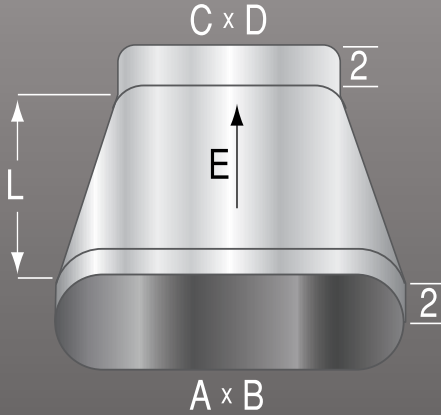
OVAL ROUND FITTINGS

C/L RECTANGLE TO OVAL



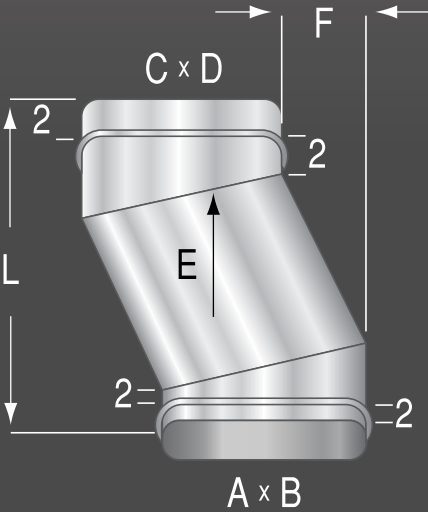
F107-OV

OVAL OFFSET REDUCER



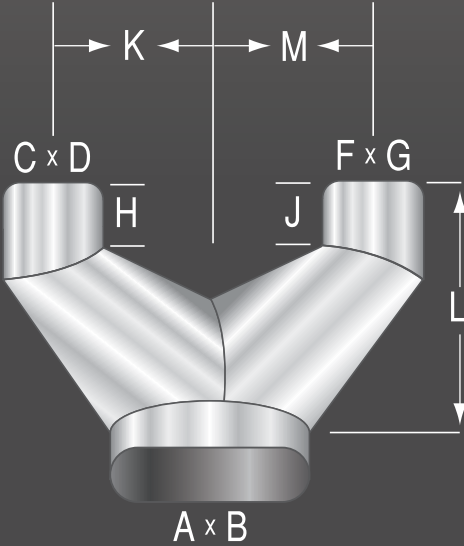
F115-OV

OVAL ROUND OFFSET



F123-OV

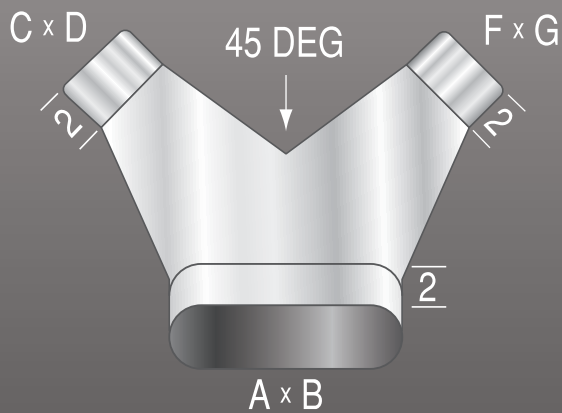
OVAL GORED WYE



F125-OV

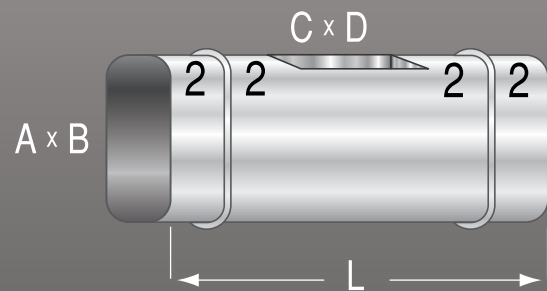
OVAL ROUND FITTINGS

OVAL VARIATION WYE BRANCH



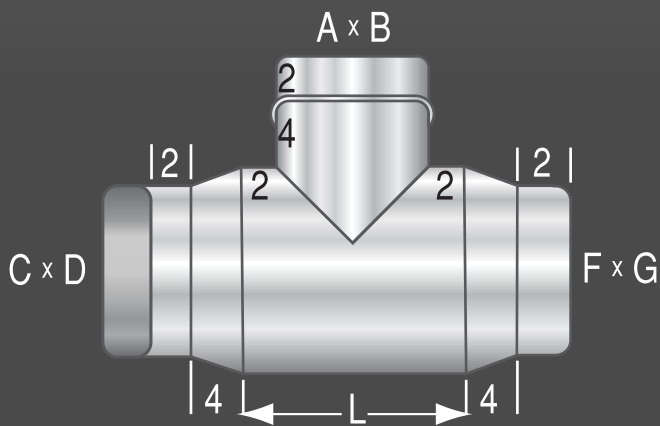
F116-OV

OVAL PIPE W/ SQ. ACCESS HOLE



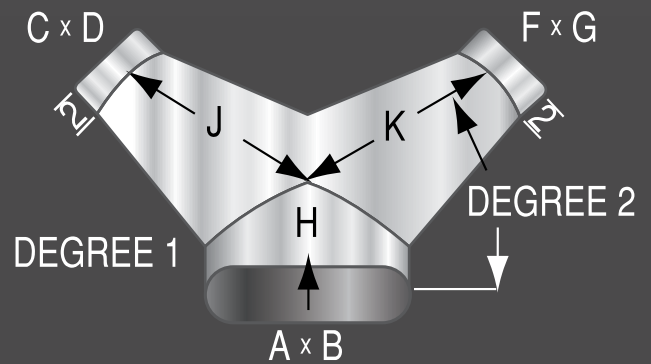
F134-OV

OVAL REDUCING BULLHEAD TEE W/ 1 HEEL VANE



F255-OV

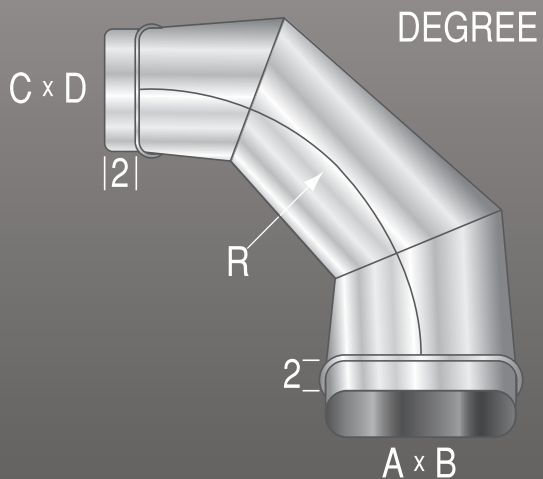
OVAL THREE PIECE WYE



F132-OV

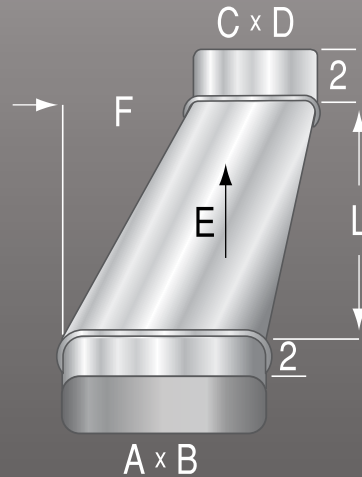
OVAL ROUND FITTINGS

OVAL REDUCING ELBOW



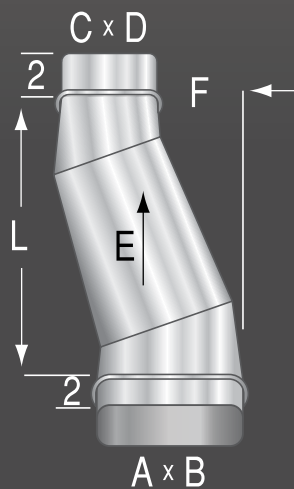
F122-OV

OVAL ROUND TRANSITION



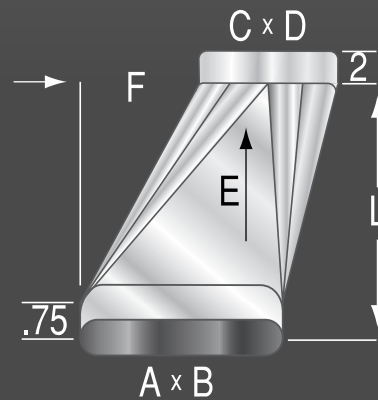
F115-OV

OVAL REDUCING OFFSET



F123-OV

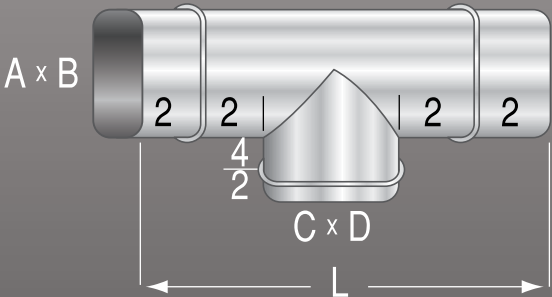
OVAL OFFSETTING SQUARE TO ROUND



F108-OV

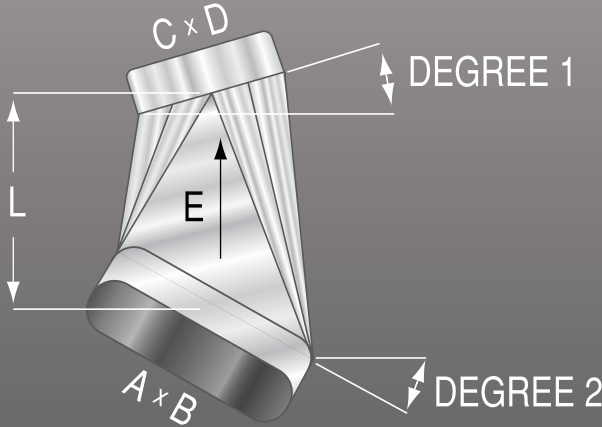
OVAL ROUND FITTINGS

OVAL BULLHEAD TEE W/ VANES



F131-OV

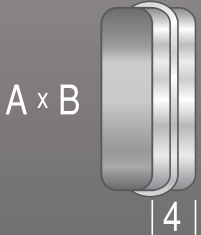
MITERED SQUARE TO OVAL



F58-OV

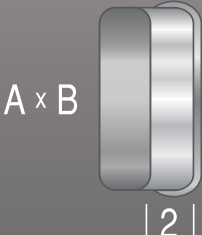
MISCELLANEOUS

OVAL DUCT COUPLING



F100-IS-OV

OVAL END CAP



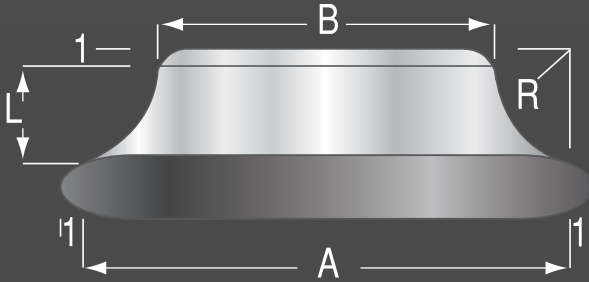
F142-OV

OVAL FITTING COUPLINGS



F100-SS-OV

OVAL BELL MOUTH (STANDARD RADIUS) (SHORT RADIUS)



BM-OV